

## 15-CD55W-990

Color / Monochrome External High Speed Dome 312X Power Zoom

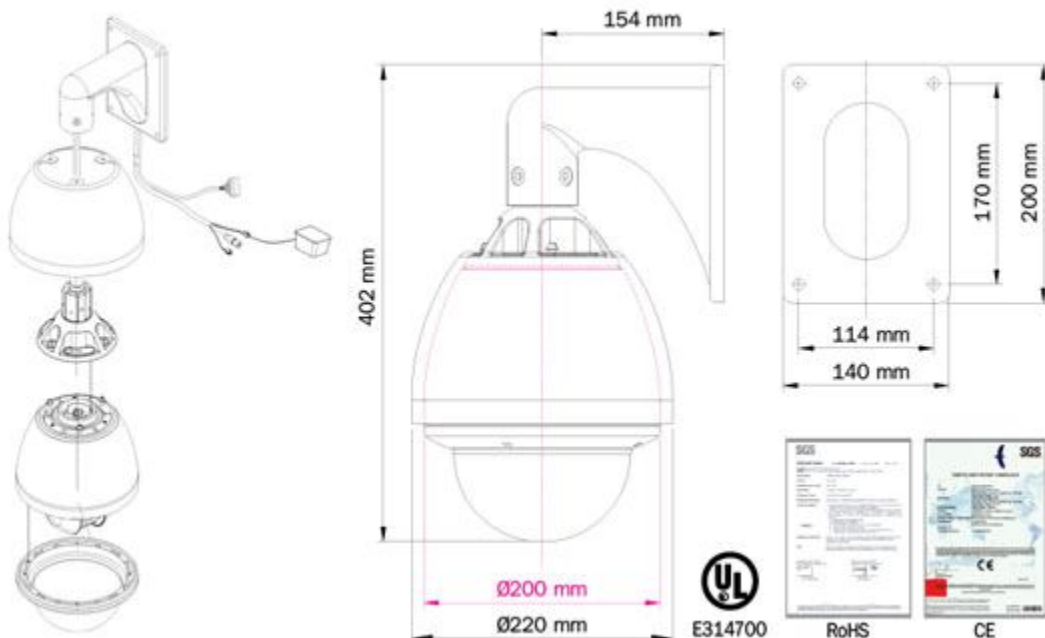


### Feature

- 1/4" Progressive Scan CCD
- High sensitivity of 0.025 Lux (F1.4, 1/2s ICR ON)
- High horizontal resolution 530TV lines
- 312X zoom ratio 26X optical, 12X digital
  - Electronic Image Stabilizer
- [Wide Dynamic Range \(WDR\) support](#)
- [24 Privacy mask zone](#)
- [3-D coordinate](#)
- 4 alarm input and 1 alarm output
- 5 auto cruising track, and 2 min patrol
- Pan range 0~360°, speed 300°/s
- Tilt range 0~96°, speed 150°/s
- RS-485 multi-protocols communication
- [Anti-drop wire for bubble cover](#)
- Built-in heater and blower
- External weather tamper resistant housing, IP66
- Wall mount bracket included
- AC24V input
- Size:  $\varnothing 200 \times 360$  mm

\* **OPTION:** [Bracket](#), [Module](#)

### DRAWINGS, DIAGRAMS OR ILLUSTRATIVE IMAGES FOR YOUR GUIDANCE



**TECHNICAL DATA FOR GUIDANCE PURPOSES ONLY PLEASE VERIFY WITH OUR SALES OFFICE**

Items 15-CD55W-990  
Zoom Camera Module FCB-EX990D  
Signal System NTSC / PAL  
Image Sensor 1/4" SONY EX-View HAD CCD  
Picture Elements NTSC: 768(H) x 494(V) / PAL: 752(H) x 582(V)  
Resolution 530TV Lines  
Video Signal Output 1 Vp-p Composite Video ( 75  $\Omega$  )  
SYNC System Internal / External (V-Lock)  
Lens 3.5mm~ 91mm, F1.4~F3.8  
Zoom 312X, 26x Optical, 12x Digital  
S/N Ratio 50dB  
Minimum Illumination 0.09 lux (1/4s NTSC) / 0.01 lux (1/4s NTSC ICR ON)  
Shutter 1/4~1/10000s (NTSC), 20 Step; 1/3~1/10000s(PAL)  
White Balance ATW / Indoor / Outdoor / Manual / AWB / One Push WB  
Gain Auto / Manual  
WDR ON/OFF  
Protocol Pelco D/P, Total 19 Protocols Selectable  
Pan Speed 300°/sec  
Tilt Speed 150°/sec  
Auto Cruising 5 Auto Cruising Tracks(Max), and 2 min patrol  
Power Source AV24V input, Internal / External sync  
Operating Temperature -30° C~+50° C  
Storage Temperature -20° C~+60° C